

SLIDE DRAWER

Go to Index

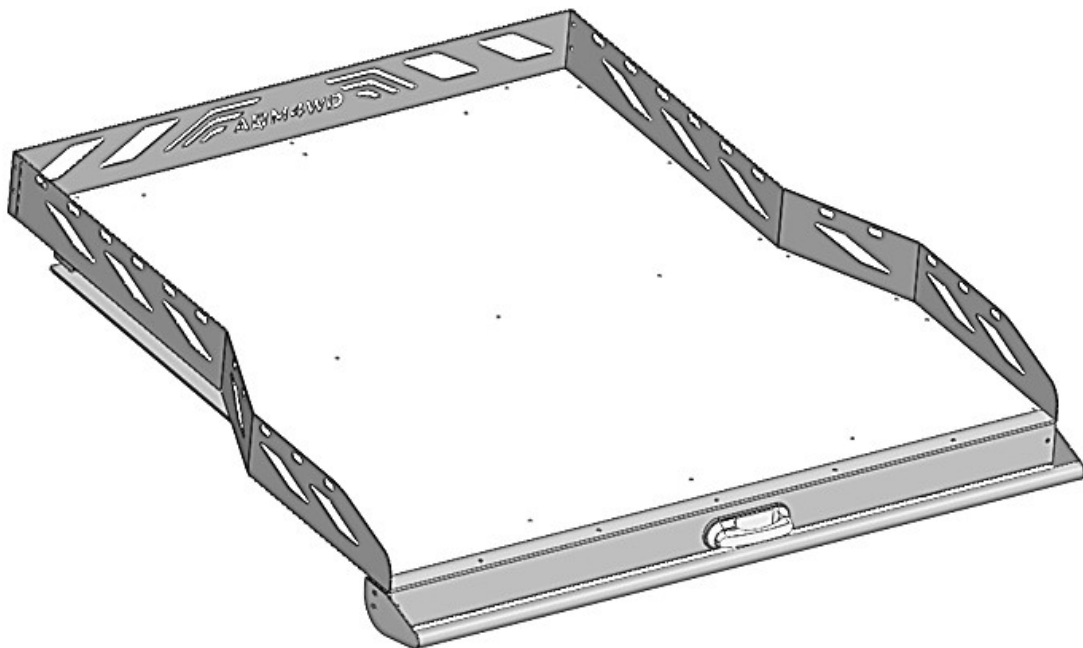


UNIVERSAL

AQM-S60



MOUNTING INSTRUCTION COMPATIBLE FOR ALL PRODUCTS



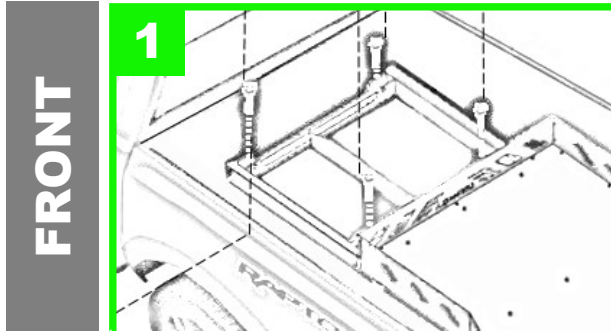
**VERIFY YOU HAVE ALL THE COMPONENTS BEFORE STARTING THE INSTALLATION.
REFER TO THE ENGINEERING DRAWINGS AT THE END OF THIS DOCUMENT FOR A COMPLETE
PARTS LIST**

2201TR - 01

Go to Index



1. Mount Installation




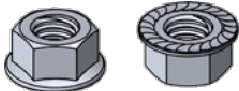


INSTALLATION DIAGRAMS



Go to Index



3. Bolt Kit

Designation	Part No	Name	Spec.	Q'ty
	1000	Bolts	DIN 6921 (M8x60)	4 pcs
	1002	Nuts	DIN 6923 (M8)	4 pcs
		Washers	DIN 125 (M8)	4 pcs
		Special Washer	M8	4 pcs